

borg &
overström



Distinctive
by design.

t2

borg&
overström

Refined hydration, digital precision

The T2 is a next-generation digital tap system. It's bold yet practical with a premium finish. Combined with the ultra-compact ProCore™ water processing unit, the T2 integrates seamlessly into any work area or communal space.



Distinctive
by design.

Refined hydration

The T2 has sleek lines, a contemporary profile, and is finished to the highest standard. With a built-in drip tray and 310mm dispense area for refilling bottles and jugs, it's also a highly practical solution for modern workplaces.

Advanced UV protection built-in

As an option, the T2 can be fitted with Viovandi™, a mercury-free, chemical-free and energy-efficient LED-UV water purification system. For complete peace of mind, it also includes additional hygiene features via Borg & Overström's Totality® methodology.

Easy-to-fit ventilation kit

A ventilation kit is included with this system. It's easy to install and increases the efficiency of the ProCore™ by allowing a continuous cycle of cool air.

Digital precision

The discreet digital touch panel has an antimicrobial coating for a reassuringly clean experience. Chilled, sparkling, or ambient water can also be dispensed touch-free via the Bluetooth® app.

Ultra-compact, durable ProCore™

The under-counter ProCore™ system is compact, easy to install out of sight. It's also low maintenance and fitted with the new eco R290 gas. The colour-coated GreenCoat® steel construction makes it sustainable and durable.

Energy-efficient

The T2 is consistently energy efficient, making it both economical and eco-friendly. It's also fitted with a low light sensor which sends the appliance into standby mode when the room is unoccupied.



Distinctive
by design.

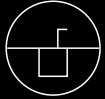
borg& overström

Water system



Dry Chill®

Configurations



Integrated Tap

Water options



Chilled



Ambient



Sparkling

Tap finishes



Steel



Black

borgandoverstrom.com



Distinctive
by design.

t2

Totality® - Hygiene-assured refreshment



Totality® is our assurance that water dispensed from a Borg & Overström water dispenser is as safe as it is refreshing. Water dispensers with a six-star Totality® rating deliver an exceptionally high standard of hygiene.



Digital precision

The discreet digital touch panel has an antimicrobial coating for a reassuringly clean experience. Chilled, sparkling, or ambient water can also be dispensed touch-free via the Bluetooth® app.



Advanced UV-led protection.

As an option, the T2 can be fitted with Viovand™, a mercury-free, chemical-free and energy-efficient LED-UV water purification system. For complete peace of mind, it also includes additional hygiene features via Borg & Overström's Totality® methodology.



Sealed drinking water system.

Dry Chill® is the most hygienic cooling process. No water is stored within the system, which greatly reduces the opportunity for bacteria to become established. Dry Chill® also produces a larger volume of lower temperature water due to its faster recovery time.



Independently certified anti-microbial, antipathogen sanitising procedure.

All dispensers are sterilised using Sterizen® sanitising infusion. No other brand of watercooler goes through this process, which is why only Borg & Overström appliances are laboratory certified to be 99.999% bacteria reduced.



High-performing, easy to fit carbon filters.

3M carbon filters provide the highest level of water hygiene security for your dispenser over a longer period of time. All Borg & Overström water dispensers can be fitted with 3M carbon filters.

Distinctive
by design.

T2 Specifications

Power requirements
Hertz 50/Volts 230-240

Water system
Dry Chill®

Chilled temperature
Min 2°C/Max 11°C

Tap height
390mm

Dispense height
310mm

ProCore dimensions
W320xD375xH350mm

Simple-fit Ventilation Base
W322xD431xH60mm
(Includes 20mm overhang)

T2 ProCore

Throughput flow rate
50 litres per hour (LPH)
60 500ml bottles per hour (BPH)

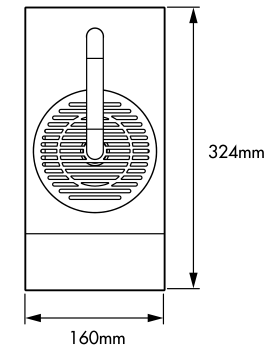
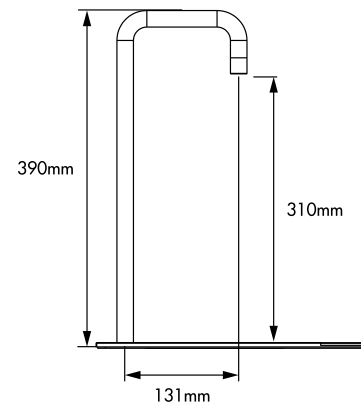
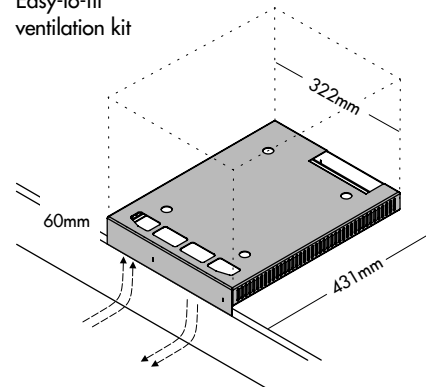
Dispense options	Max power consumption	Black	Steel	Black ECO-UV	Steel ECO-UV
Chilled & Ambient	140W	742000	742010	742020	742030
Chilled & Sparkling	200W	742080	742090	742100	742110
Chilled, Ambient & Sparkling	200W	742160	742170	742180	742190

T2 ProCore+

Throughput flow rate
80 litres per hour (LPH)
90 500ml bottles per hour (BPH)

Dispense options	Max power consumption	Black	Steel	Black ECO-UV	Steel ECO-UV
Chilled & Ambient	140W	742240	742250	742260	742270
Chilled & Sparkling	200W	742320	742330	742340	742350
Chilled, Ambient & Sparkling	200W	742400	742410	742420	742430

Easy-to-fit
ventilation kit



Distinctive
by design.

Additions for T2



Biodegradable paper cups
Environmentally-friendly disposable cups designed to fit Borg & Overström cup dispensers perfectly.



Personal drinking bottles
500ml capacity in black or grey gloss finish. Comes with quick-release leak-proof cap and carry strap.



500/750ml glass bottles
Suitable for dishwashers and bottlewashers. Both sizes are a perfect fit for the T2 tap. Stylish swing-top lid.



Deep Sparkle® CO² refills
Can be disposed via standard steel recycling or general waste. Requires CO² regulator with gauge.



Sanitisation kit
Six monthly sanitising cycles ensure appliances function at the optimum hygiene levels.



Waste kit overflow sensor
Featuring an audible high-water level alarm to prevent the waste tank from overflowing.



Install kit with 3M filter
Install appliances simply and effectively in a wide range of applications. Complete with a 3M filter.

Distinctive
by design.



Book a personal demonstration of the T2

Talk to an adviser

+44 (0) 1362 695 006

sales@borgandoverstrom.com